



# Submersible Sewage Pump

**SERIES 1DM/2DM**

## 1 1/2" and 2" Sewage Pump

### APPLICATIONS

Non-clog submersible sewage pumps for simplex and duplex installations in small lift stations, drainage systems or raw water applications requiring solids handling capability of 1 3/8" and 2" diameter made specifically for:

- Homes and farms
- Mobile home parks and motels
- Schools and hospitals
- Municipal package systems
- Industrial treatment systems
- Dewatering applications

### SPECIFICATIONS

#### Pump:

- 1 1/2" discharge on 1/2 HP.
- 2" discharge on 3/4 HP and larger.
- Solid size: 1 3/8" solids on 1/2 HP; 2" solids on 3/4 HP and larger.
- Capacities: to 175 U.S. GPM (41 m<sup>3</sup>/h).
- Total heads: to 47 feet TDH (14 m).
- Temperature: 104°F (40°C) continuous 140°F (60°C) intermittent.
- Maximum submergence: to 17 feet (5 m).
- AISI 304 SS casing.
- AISI 304 SS impeller.
- Continuous duty rated, non-overloading motor.

#### Motor:

- Single phase: 60 Hz, 3450 RPM, 1/2 HP, 115 V; 1 HP, 230 V.
- Three phase: 60 Hz, 3450 RPM, 1/2 to 1 1/2 HP, 230 and 460 V.
- Non-overloading.

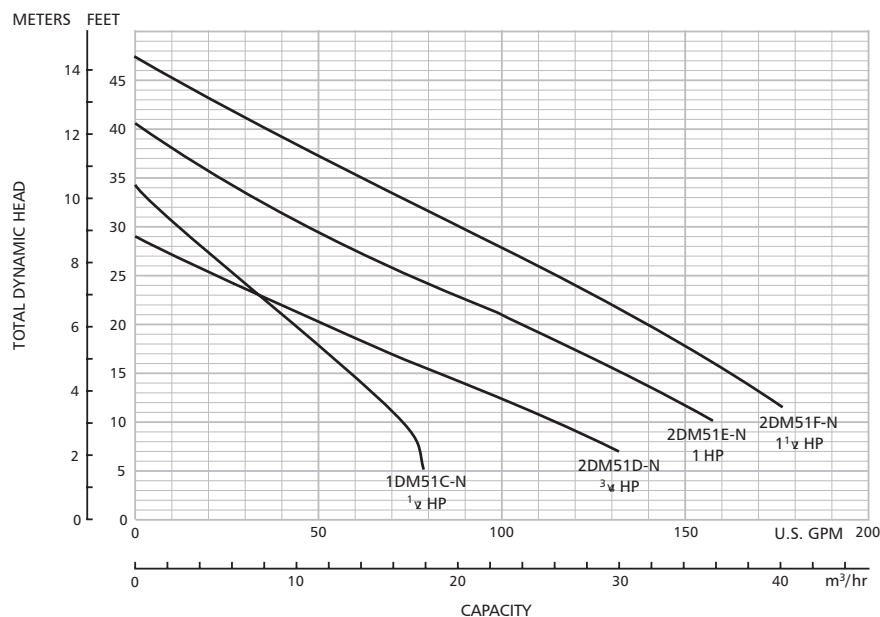
- Air-filled, class F insulated motor.
- Thermal overload protection: built-in with automatic reset on single phase, 115 V and 230 V models.
- Three phase models require external overload in panel.
- Power cord: 20 feet long.
- Single phase 115 V and 230 V models are supplied with molded NEMA plugs and built-in capacitors.
- Three phase models are supplied with bare leads.
- Float controls: optional, see accessory section for simplex or duplex system requirements.
- Rotation is clockwise when viewed from top.

### FEATURES

- **Casing:** Corrosion resistant AISI 304 SS designed for long lasting performance.
- **Impeller:** AISI type 304 stainless steel construction; two vane non-clog design for maximum pumping efficiency.
- **Mechanical Seal:** Drive lube silicon carbide sealing faces; all metal components of AISI type 300 stainless steel running in protected oil chamber.
- **Elastomers:** BUNA-N
- **Pump Support Feet; Motor Shell and Lifting Handle:** Constructed of AISI type 304 series stainless steel.

- **Shaft:** AISI type 304 stainless steel high strength pump shaft with keyed and locking cap screw impeller fastening.
  - **Discharge:** 1 1/2" and 2" NPT for horizontal connection to rigid, flexible or guide rail piping connection.
- NOTE:** See accessory section guide rail systems, type A10-20 for simplex or duplex system.

Component	Material
Pump body and motor casing	Stainless steel (AISI 304)
Impeller	Stainless steel (AISI 304)
Lower mechanical seal	Silicon carbide/silicon carbide
Upper lip seal	Nitrile rubber
Motor Shaft	Stainless steel (AISI 304)
Handle	Nylon



Goolds Pumps



# Submersible Sewage Pump

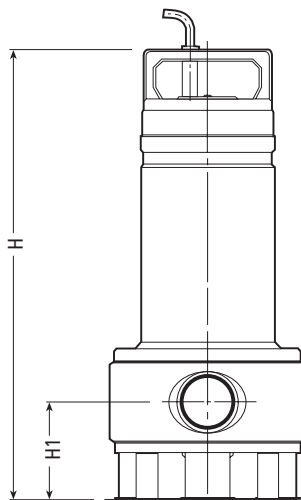
**SERIES 1DM/2DM**

## 1½" and 2" Sewage Pump

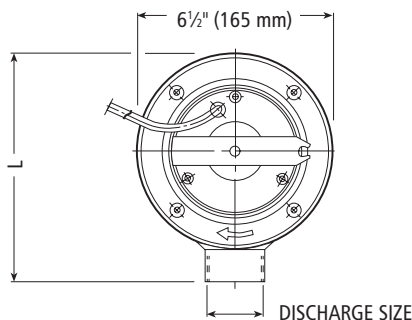
### MODEL INFORMATION

Order Number	HP	Volts	Phase	Max. Amps	Start Amps	Capacitor uF/V	Resistance Start/Line-Line	RPM	Cord Length	Discharge Connection	Solids	Weight (lbs.)						
1DM51C0NA	½	115	1	9.8	51.0	70/250	1.6 / 0.6	3450	20'	1½"	1¾"	22						
1DM51C1NA		230		4.2	26.3	20/450	5.9 / 2.6											
1DM51C3NA		460	3	2.3	14.6	NA	NA / 11.7											
1DM51C4NA				1.2	7.5	NA	NA / 14.7											
2DM51D1NA	¾	230	1	5.4	27.2	22/450	4.4 / 1.9			3450	20'	2"	2"	30				
2DM51D3NA			3	3.4	24.9	NA	NA / 6.0							25				
2DM51D4NA	1.7	12.7		NA	NA / 7.8	34												
2DM51E1NA	1	230	1	7.0	30.6	30/450	4.2 / 1.9							3450	20'	2"	2"	30
2DM51E3NA			3	4.4	29.8	NA	NA / 5.3					30						
2DM51E4NA		2.2		15.2	NA	NA / 6.6	32											
2DM51F3NA		1½	230	3	5.6	39.2	NA					NA / 3.7	3450					20'
2DM51F4NA	460				2.8	19.9	NA					NA / 4.8						

### DIMENSIONS



Series	HP	Phase	Dimensions in inches (mm)			Discharge Size	Wt. (lbs.)
			H	H1	L		
1DM	½	3	15¾ (391)	3½ (88)	7½ (193)	1½"	20
		1					22
2DM	¾	3	17¼ (438)	4¾ (111.5)	7¾ (198)	2"	25
		1	30				
	3	18 (458)	30				
	1	34					
	1½	3	18 <sup>13</sup> / <sub>16</sub> (478)				32



Goolds Pumps is a brand of ITT Water Technology, Inc. – a subsidiary of ITT Industries, Inc.

Goolds Pumps and the ITT Engineered Blocks Symbol are registered trademarks and tradenames of ITT Industries.

Goolds Pumps

